



TECHNICAL CATALOGUE

---

# MINI BALL VALVES





ITAP SpA, founded in Lumezzane (Brescia) in 1972, is currently one of the leading production companies in Italy of valves, fittings and distribution manifolds for plumbing and heating systems. Thanks to fully automated production processes, with 63 tooling machines and 25 assembly lines, we are able to produce 150,000 pieces per day. Our innate pursuit for innovation and observance of technical regulations in force is supported by the company certification ISO 9001: 2008. The company has always considered its focus on quality as the main tool to obtaining significant business results: today ITAP SpA is proud to offer products bearing the approval of numerous international certifying bodies.





MINI BALL VALVES

BALL VALVES

# 125

## MINI BALL VALVES



| SIZE         | PRESSURE       | CODE      | PACKING |
|--------------|----------------|-----------|---------|
| 1/8" (DN 6)  | 15bar/217,5psi | 1250018/N | 20/220  |
| 1/4" (DN 8)  | 15bar/217,5psi | 1250014/N | 20/220  |
| 3/8" (DN 10) | 15bar/217,5psi | 1250038/N | 20/220  |
| 1/2" (DN 15) | 15bar/217,5psi | 1250012/N | 20/220  |
| 3/4" (DN 20) | 15bar/217,5psi | 1250034/N | 15/150  |

### TECHNICAL SPECIFICATIONS

Threads: female/female.

Lever handle in nylon.

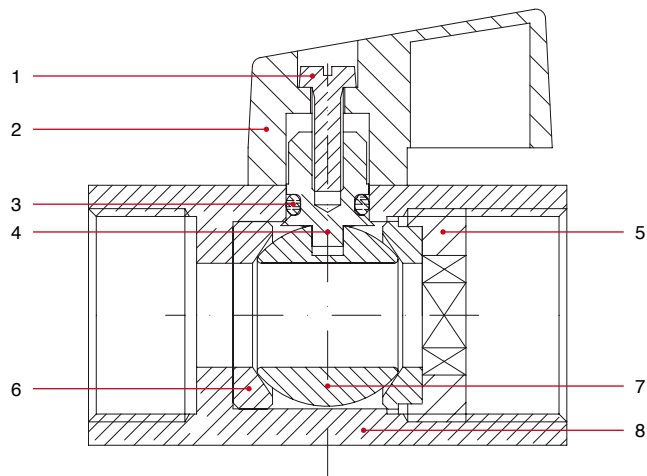
Minimum and maximum working temperatures: 0°C, 90°C.

Threads: ISO228

(equivalent to DIN EN ISO 228 and BS EN ISO 228).

**Mention "N" in the code to order the black handle.**

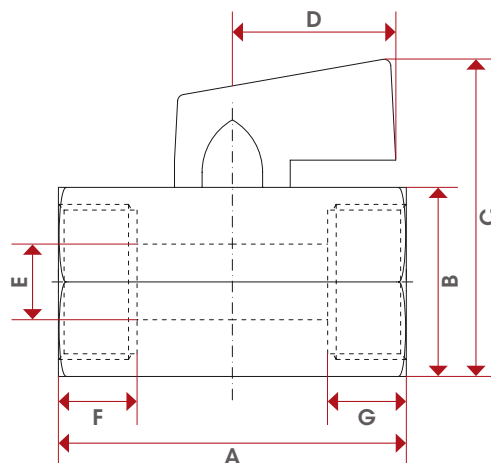
### MATERIALS



| POS. | DESCRIPTION  | N. | MATERIAL                   |
|------|--------------|----|----------------------------|
| 1    | Screw        | 1  | Chrome-plated steel Fe     |
| 2    | Lever handle | 1  | Polymer                    |
| 3    | O-Ring       | 1  | NBR                        |
| 4    | Stem         | 1  | Brass CW614N               |
| 5    | End adapter  | 1  | Brass CW614N               |
| 6    | Seat         | 2  | P.T.F.E.                   |
| 7    | Ball         | 1  | Chrome-plated brass CW614N |
| 8    | Body         | 1  | Chrome-plated brass CW614N |



## OVERALL DIMENSIONS



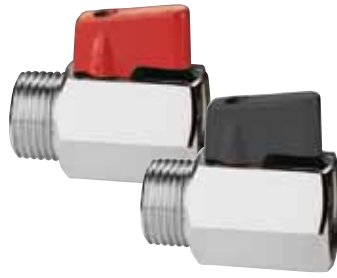
|                        | 1/8"  | 1/4"  | 3/8"  | 1/2"  | 3/4"  |
|------------------------|-------|-------|-------|-------|-------|
| DN                     | 6     | 8     | 10    | 15    | 20    |
| A                      | 40    | 40    | 40    | 46    | 54    |
| B                      | 21    | 21    | 21    | 25    | 30    |
| C                      | 38    | 38    | 38    | 42    | 47    |
| D                      | 22    | 22    | 22    | 22    | 22    |
| E                      | 7     | 8     | 8     | 10    | 12    |
| F                      | 10    | 10    | 10    | 10,5  | 14    |
| G                      | 11    | 10    | 10    | 10,5  | 12    |
| Kg/cm <sup>2</sup> bar | 15    | 15    | 15    | 15    | 15    |
| LBS - psi              | 217,5 | 217,5 | 217,5 | 217,5 | 217,5 |

## CERTIFICATIONS



# 126

## MINI BALL VALVES



| SIZE         | PRESSURE       | CODE      | PACKING |
|--------------|----------------|-----------|---------|
| 1/8" (DN 6)  | 15bar/217,5psi | 1260018/N | 20/320  |
| 1/4" (DN 8)  | 15bar/217,5psi | 1260014/N | 20/320  |
| 3/8" (DN 10) | 15bar/217,5psi | 1260038/N | 20/320  |
| 1/2" (DN 15) | 15bar/217,5psi | 1260012/N | 20/220  |
| 3/4" (DN 20) | 15bar/217,5psi | 1260034/N | 15/150  |

### TECHNICAL SPECIFICATIONS

Threads: male/female.

Lever handle in nylon.

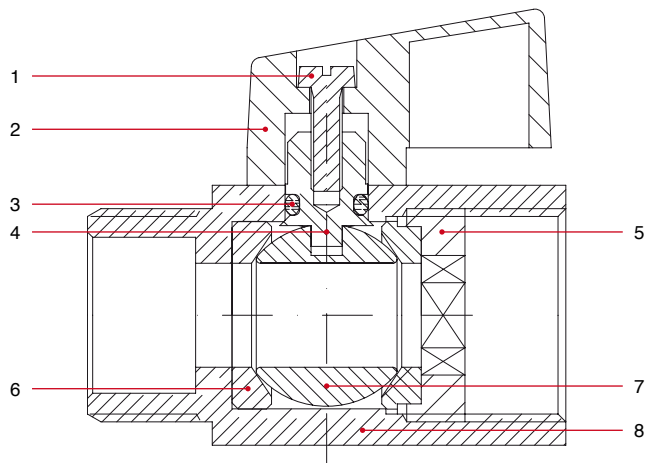
Minimum and maximum working temperatures: 0°C, 90°C.

Threads: ISO228

(equivalent to DIN EN ISO 228 and BS EN ISO 228).

**Mention "N" in the code to order the black handle.**

### MATERIALS

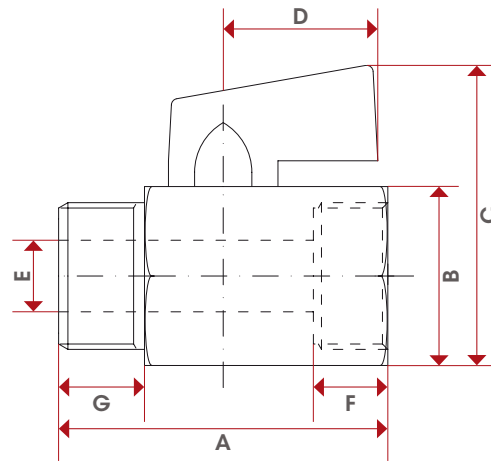


| POS. | DESCRIPTION  | N. | MATERIAL                   |
|------|--------------|----|----------------------------|
| 1    | Screw        | 1  | Chrome-plated steel Fe     |
| 2    | Lever handle | 1  | Polymer                    |
| 3    | O-Ring       | 1  | NBR                        |
| 4    | Stem         | 1  | Brass CW614N               |
| 5    | End adapter  | 1  | Brass CW614N               |
| 6    | Seat         | 2  | P.T.F.E.                   |
| 7    | Ball         | 1  | Chrome-plated brass CW614N |
| 8    | Body         | 1  | Chrome-plated brass CW614N |





## OVERALL DIMENSIONS



|                        | 1/8"  | 1/4"  | 3/8"  | 1/2"  | 3/4"  |
|------------------------|-------|-------|-------|-------|-------|
| DN                     | 6     | 8     | 10    | 15    | 20    |
| A                      | 39    | 39    | 40    | 45    | 51    |
| B                      | 20    | 20    | 20    | 24    | 30    |
| C                      | 37    | 37    | 37    | 41,5  | 47    |
| D                      | 22    | 22    | 22    | 22    | 22    |
| E                      | 5     | 8     | 8     | 10    | 12    |
| F                      | 10    | 10,2  | 10    | 12    | 12,2  |
| G                      | 9     | 9,2   | 10,2  | 12    | 14    |
| Kg/cm <sup>2</sup> bar | 15    | 15    | 15    | 15    | 15    |
| LBS - psi              | 217,5 | 217,5 | 217,5 | 217,5 | 217,5 |

## CERTIFICATIONS





ITAP S.p.A.  
Via Ruca 19  
25065 Lumezzane  
Brescia (ITALIA)  
Tel 030 89270  
Fax 030 8921990  
[www.itap.it](http://www.itap.it) - [info@itap.it](mailto:info@itap.it)